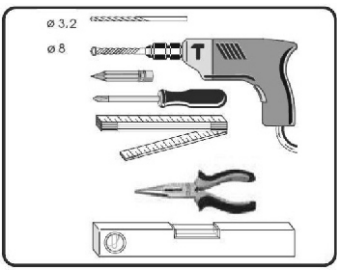
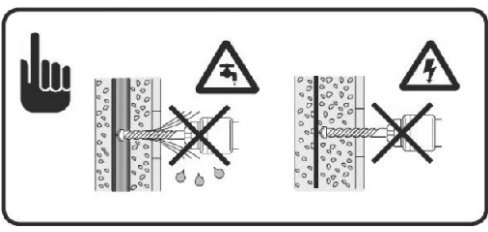
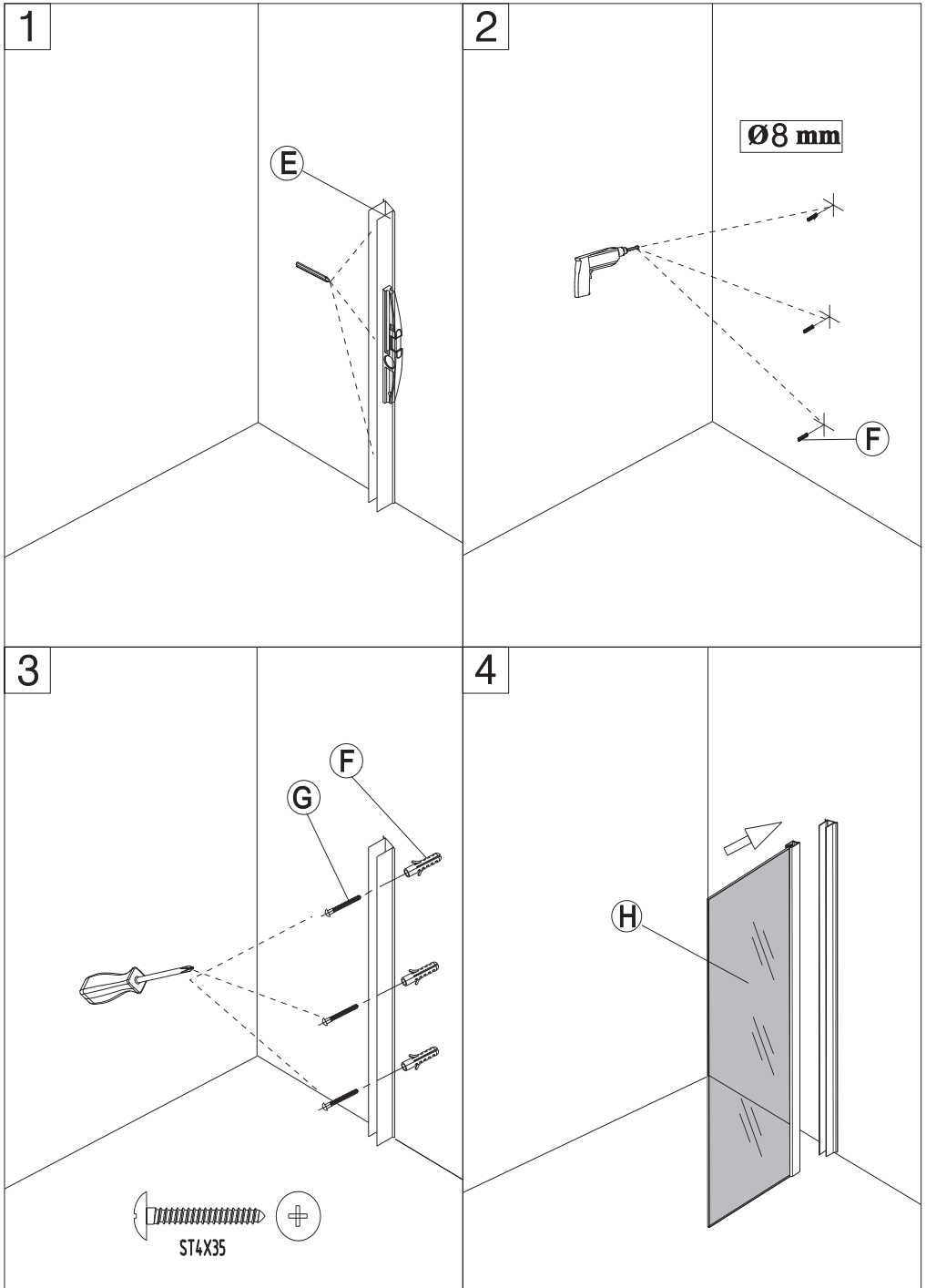


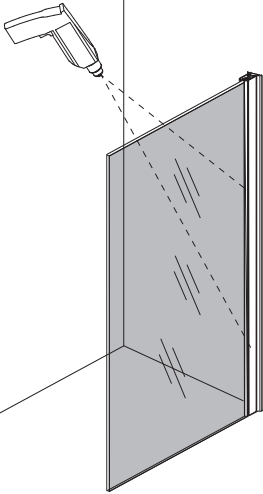
A	*1	B	*1	C	*2+1	D	*2+1	E	*1	F	*3+1	G	*3+1	H	*1						
	A1		A2		A3		B		ST4X10		D		E		F		ST4X35	G		H	Fixed Door



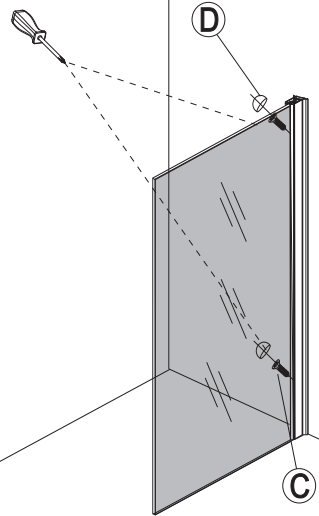


5

Ø3.2 mm



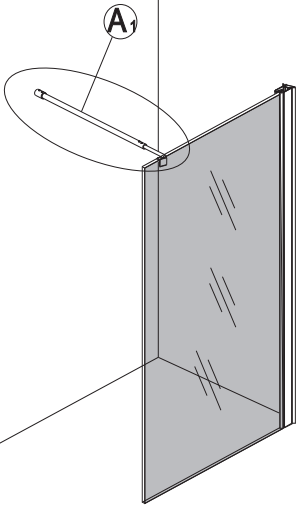
6




ST4X10

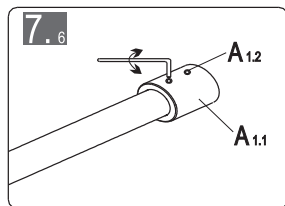
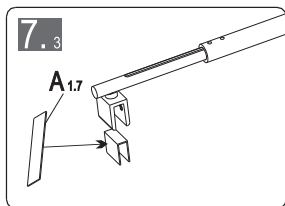
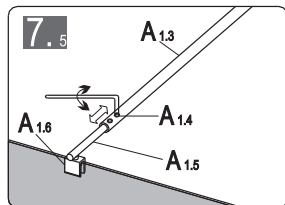
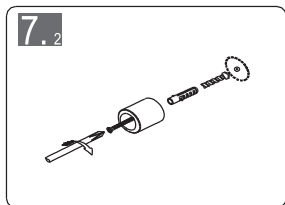
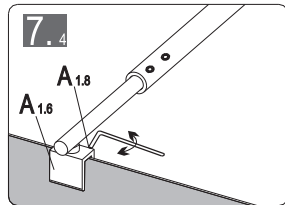
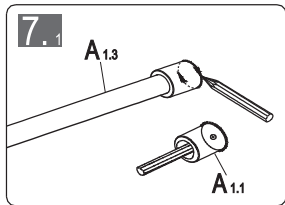


7

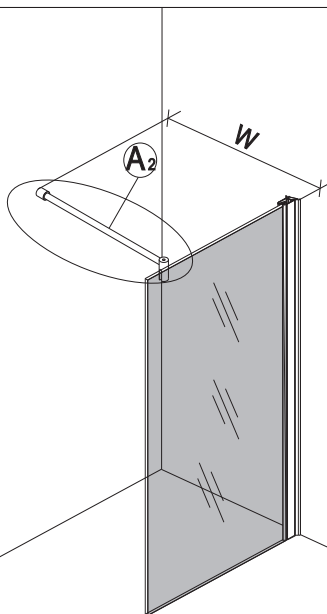


A1.1	_____	X 1
A1.2	_____	X 2
A1.3	_____	X 1
A1.4	_____	X 2
A1.5	_____	X 1
A1.6	_____	X 1
A1.7	_____	X 1
A1.8	_____	X 2

A₁

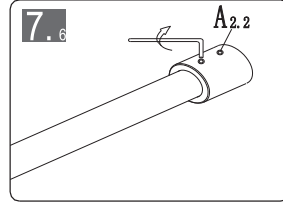
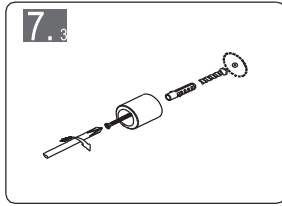
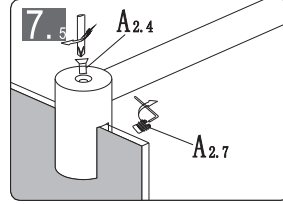
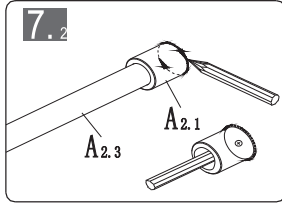
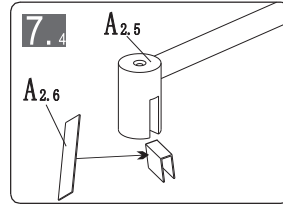
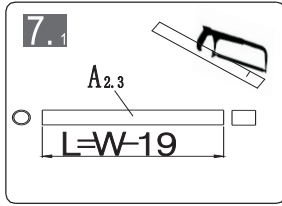


A₂

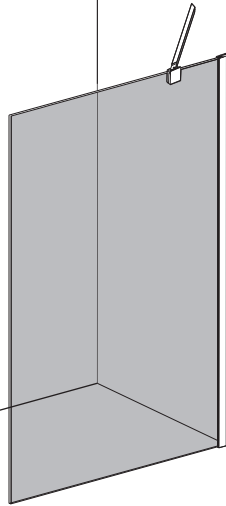
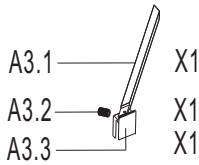


- | | | |
|------|-------|-----|
| A2.1 | _____ | × 1 |
| A2.2 | _____ | × 2 |
| A2.3 | _____ | × 1 |
| A2.4 | _____ | × 1 |
| A2.5 | _____ | × 1 |
| A2.6 | _____ | × 1 |
| A2.7 | _____ | × 1 |

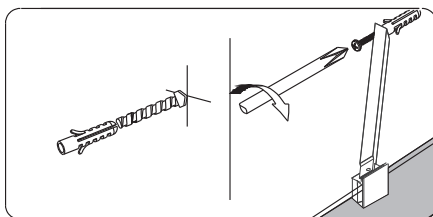
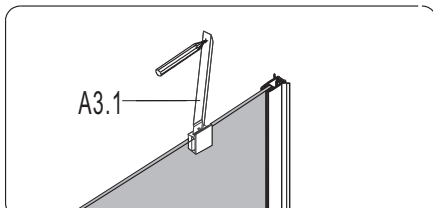
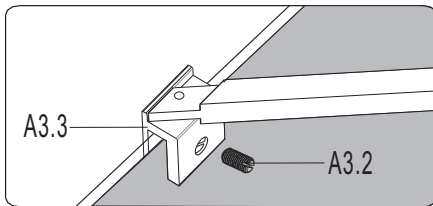
A₂



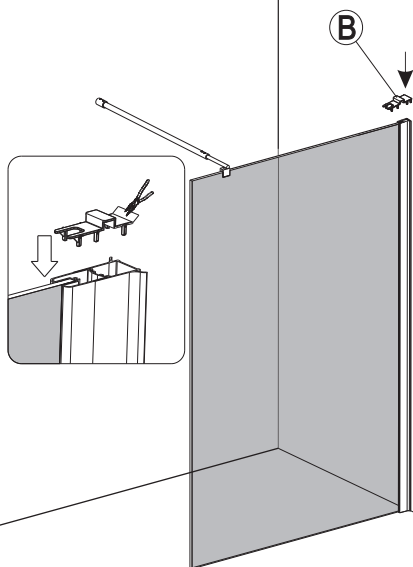
A₃



A3



8



9

